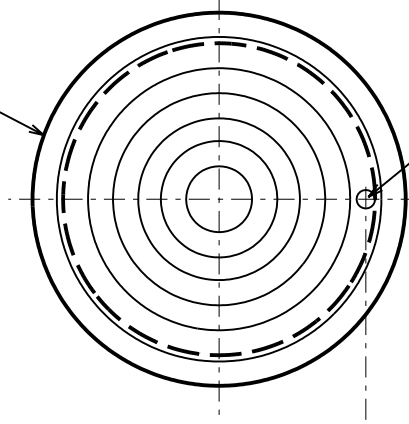


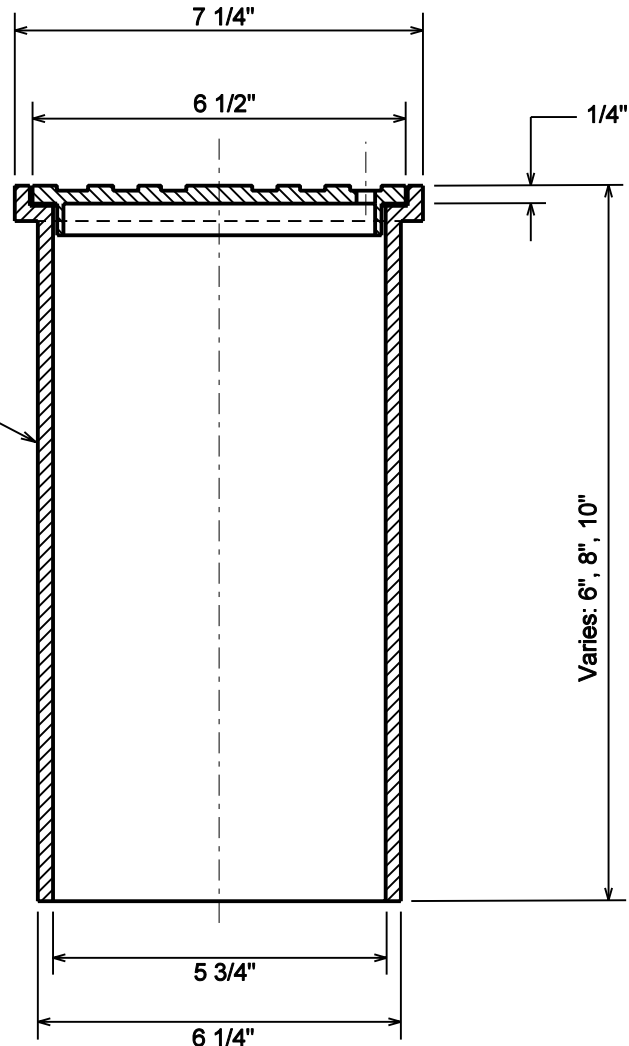
Cast Iron Lid



3/8" Ø Pick Hole

LID DETAIL

Cast Iron Box



BOX DETAIL

PROPERTY OF
SAN ANTONIO WATER SYSTEM
 SAN ANTONIO, TEXAS

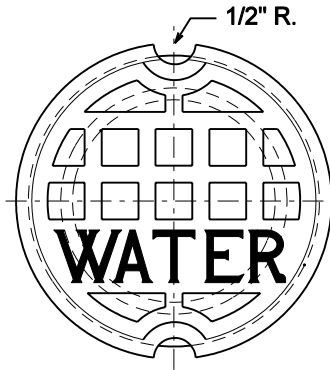
**CUSTOMER CUT OFF
 VALVE BOX**

APPROVED
 FEBRUARY 2000

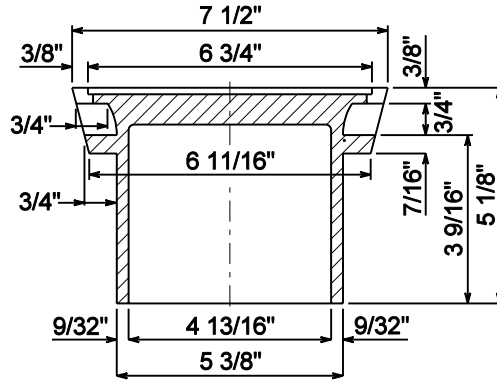
REVISED

DA-018-00

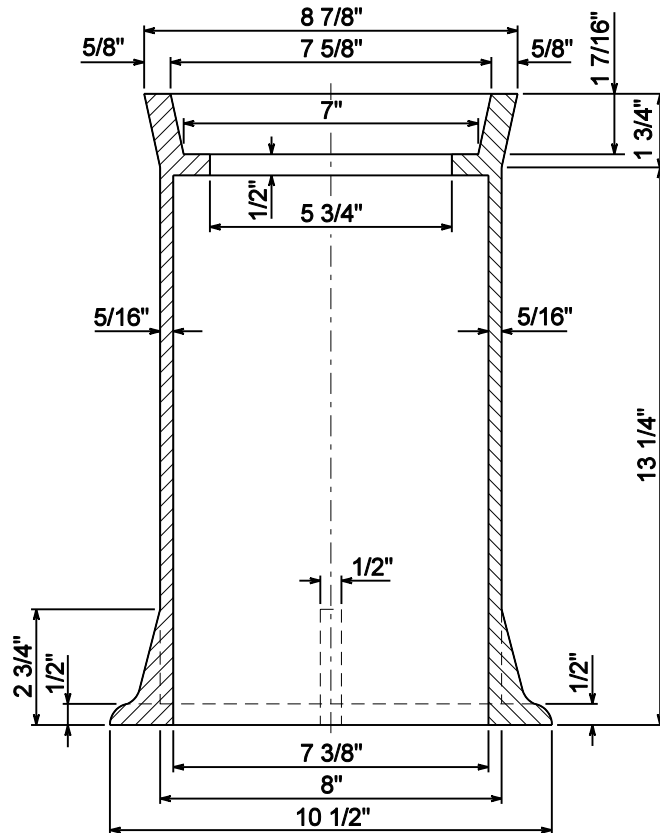
SHEET
 1 OF 1



PLAN VIEW OF TOP SECTION COVER



SIDE VIEW OF TOP SECTION COVER



SIDE VIEW OF TOP SECTION

PROPERTY OF
SAN ANTONIO WATER SYSTEM
 SAN ANTONIO, TEXAS

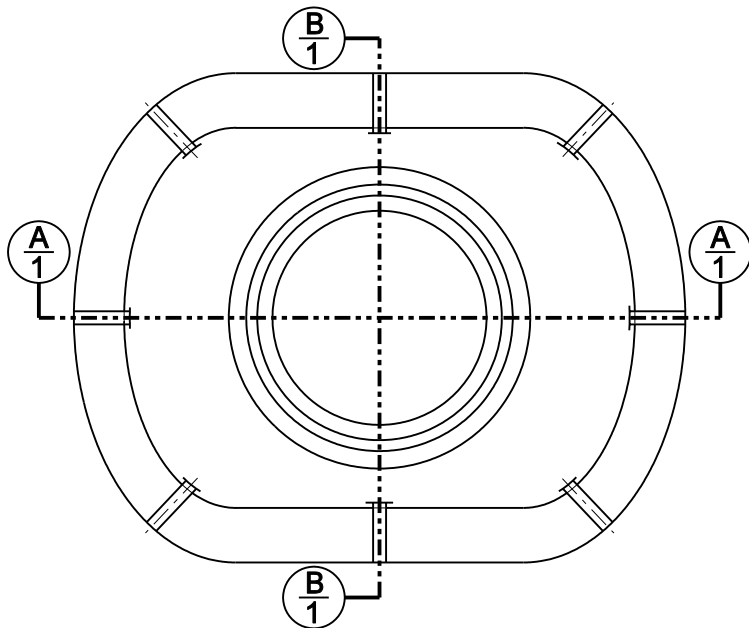
**6" VALVE BOX
 ASSEMBLY**

APPROVED
 FEBRUARY 2000

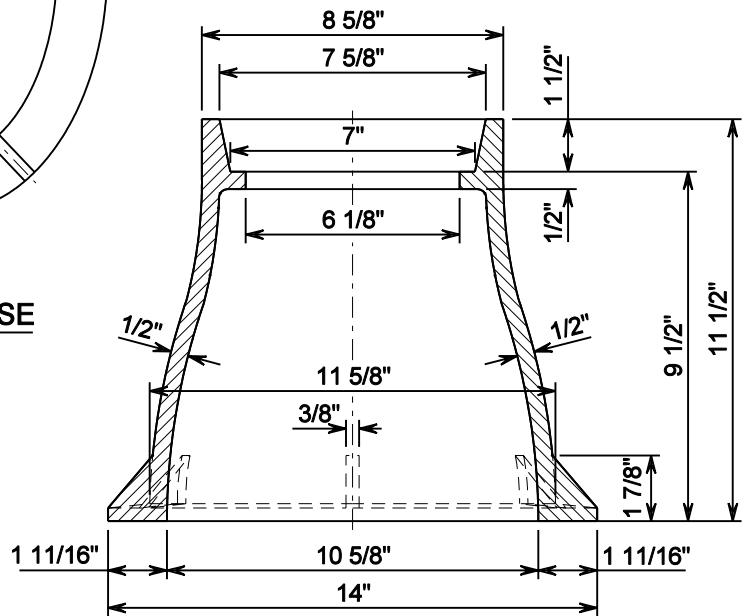
REVISED

DA-056-00

SHEET
 1 OF 2



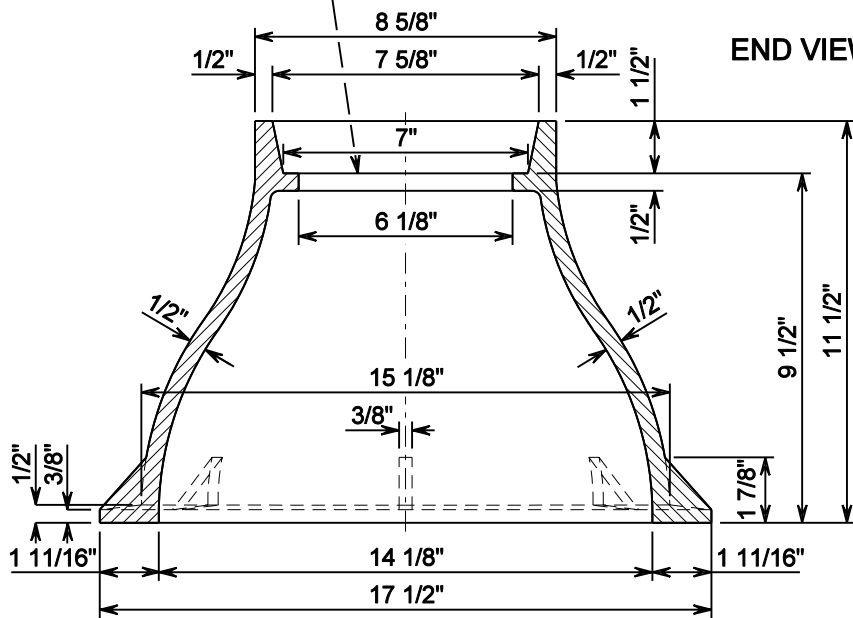
PLAN VIEW OF VALVE BOX BASE



SECTION - B

END VIEW OF VALVE BOX BASE

This ledge to support a 6" pipe having an O.D. of 6.90".



SECTION - A

SIDE VIEW OF VALVE BOX BASE

PROPERTY OF
SAN ANTONIO WATER SYSTEM
SAN ANTONIO, TEXAS

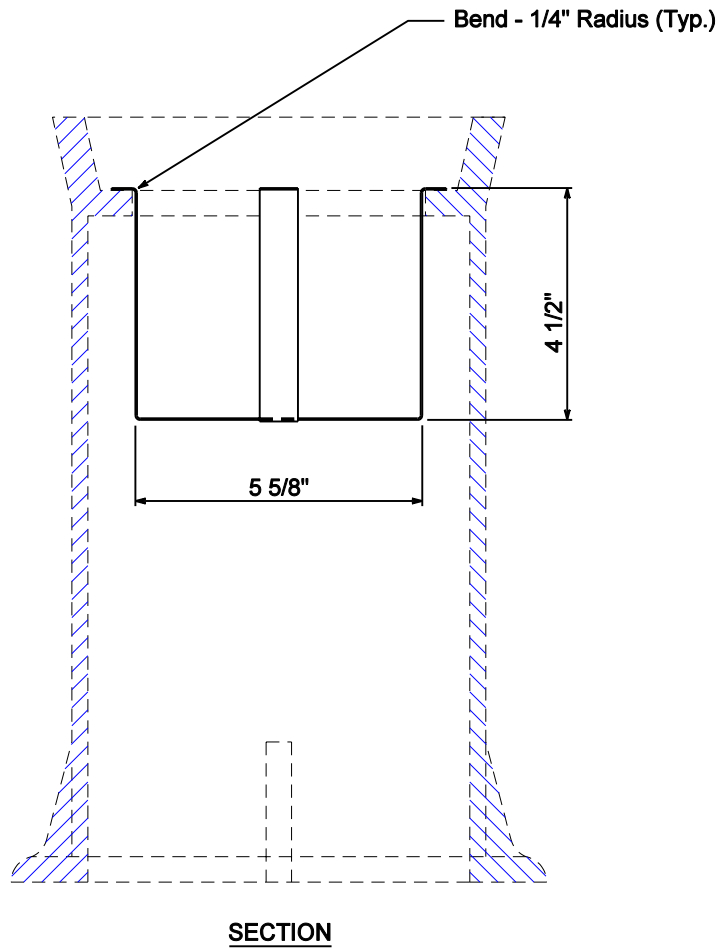
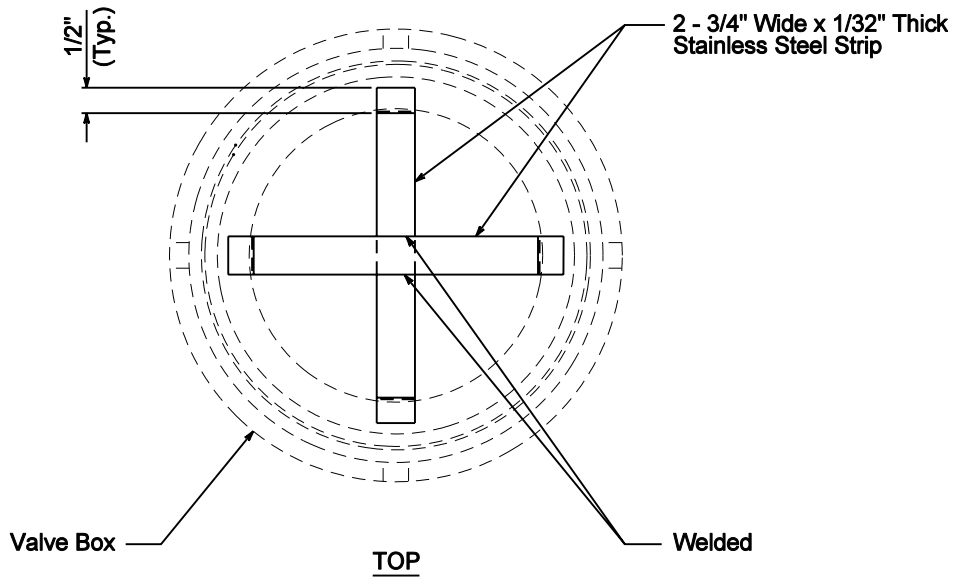
**6" VALVE BOX
ASSEMBLY**

APPROVED
FEBRUARY 2000

REVISED

DA-056-00

SHEET
2 OF 2



PROPERTY OF
SAN ANTONIO WATER SYSTEM
 SAN ANTONIO, TEXAS

**CLOSED VALVE
 INDICATOR**

APPROVED
 JULY 2000

REVISED

DA-056-01

SHEET
 1 OF 1